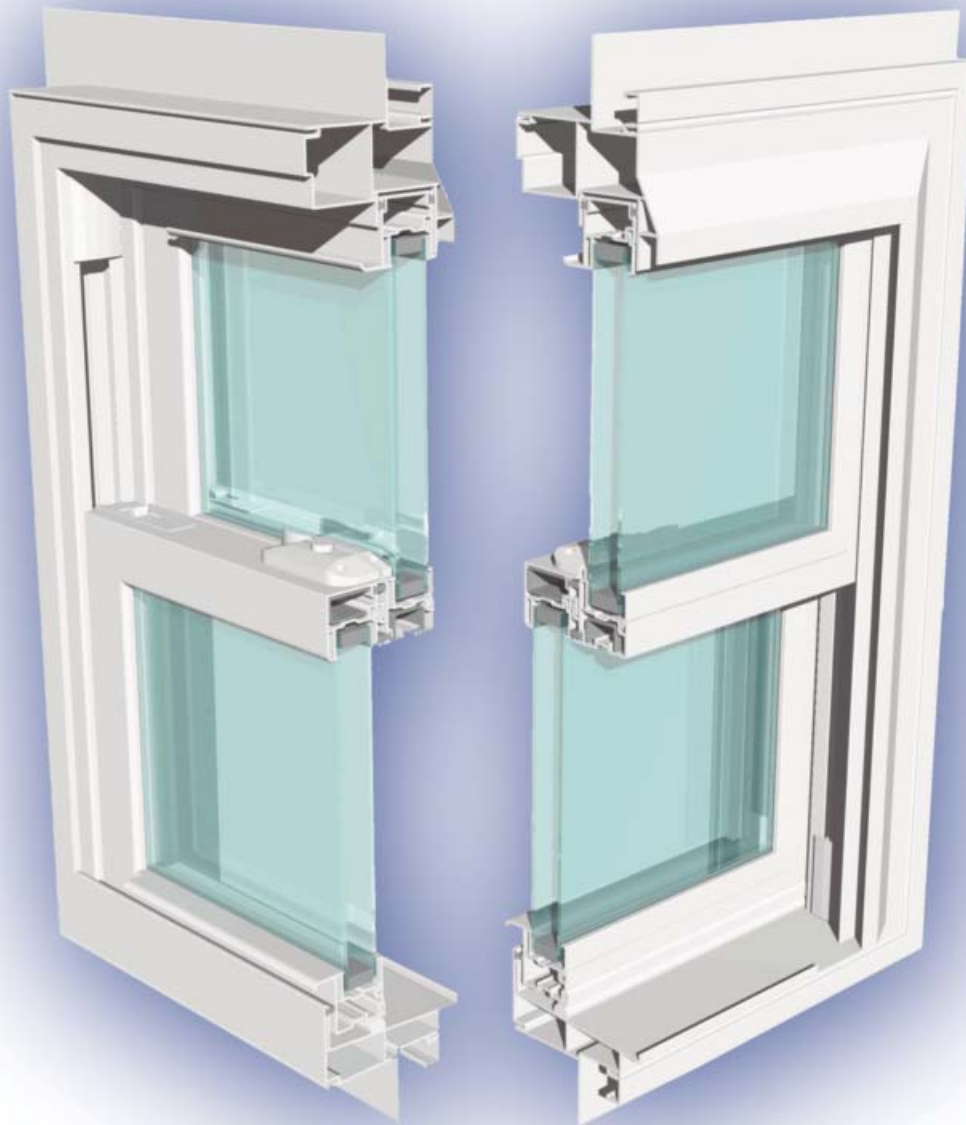


700 SERIES DOUBLE HUNG

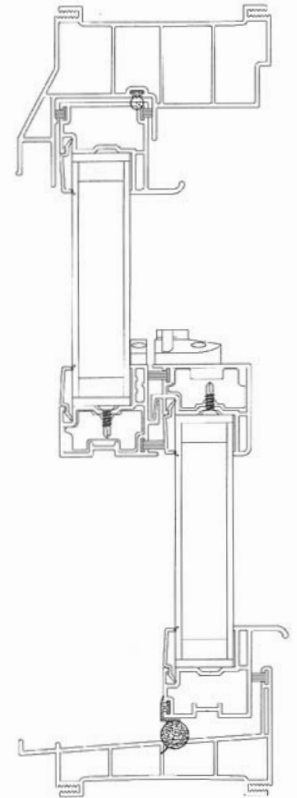
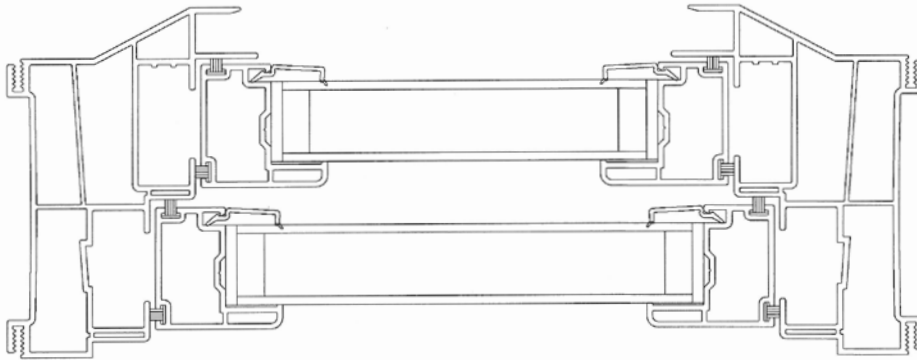


565 Cedar Way • Oakmont, PA 15139 • 1-800-424-3573 • www.chelseabuildingproducts.com



700 SERIES

DOUBLE HUNG



700 Series Features

- Models include: Double Hung, Single Hung, Two- and Three-lite Horizontal Slider (XO, XX, XOX), Tilt n Slide and Picture Window.
- Fusion welded sash and frame corners assure that this window stays true and square, and fits the rough opening.
- Available in replacement and new construction configurations. For ease of new construction installation, it comes with a pre-punched nailing fin.
- Subtle accessory grooves come standard so you can securely accommodate trim and other attachments. Multiple accessories available.
- Sash options include: Standard non-equal lite, equal lite and Heritage sash/non-equal lite.
- Accepts up to 7/8" insulated glass.
- T-mull available for multi-window configurations.
- A beveled exterior offers a pleasant, aesthetic design.
- The optional Structural Mull system adds additional strength to multiple window combinations.
- Dual Weatherstripping at stiles, interlock, head and sill provides extra protection against air-infiltration which enhances energy efficiency.
- Utilizes Chelsea's Ccore® composite reinforcement.
- Meets AAMA Grade R35 structural test standards with upgrades available to meet Grade LC55.
- The Double Hung and Picture Window meet Missile Level D and Wind Zone 3 Impact test rating in accordance with ASTM E 1886-05 and ASTM E 1996-05. (Casement Zone 4).
- Overlap sill dam leg for clean fit and finish with jamb.

Performance Results

Structural

Test Standard - AAMA/WDMA/CSA 101/I.S.2/A440-05
Tested to H Class R35 (40" x 63")

Test Standard - AAMA/WDMA/CSA 101/I.S.2/A440-11 NAFS
Tested to H Class LC50 (40" x 63")
Tested to H Class LC55 (44" x 75")

Thermal

The 700 is capable of a U-Factor result of 0.17
The 700 performs to a SHG result with a range from 0.15 to 0.58

Part of the TrustGard
family of products.

TrustGard
A Chelsea Vinyl Lifetime Component

CHELSEA
BUILDING PRODUCTS
a member of aluplast group

©2017CBP 700DH-TG-5-17

TrustGard® is a registered trademark of Chelsea Building Products