

# 9230 SERIES DOUBLE HUNG



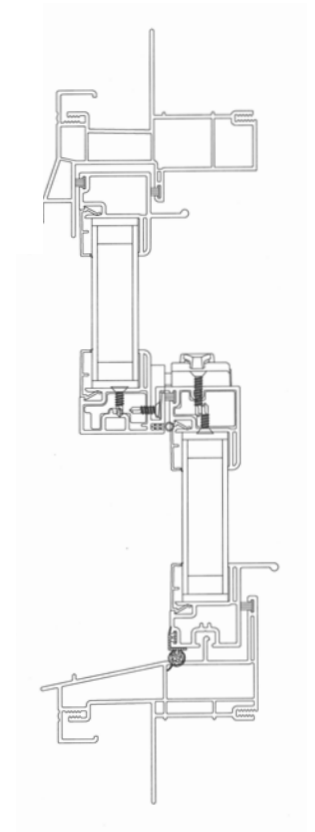
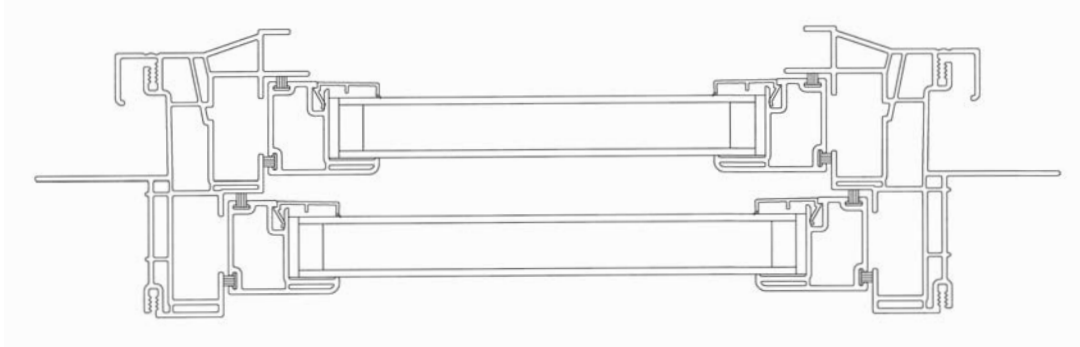
**CHELSEA**  
BUILDING PRODUCTS

565 Cedar Way • Oakmont, PA 15139 • 1-800-424-3573 • [www.chelseabuildingproducts.com](http://www.chelseabuildingproducts.com)



# 9230 SERIES

## DOUBLE HUNG



### 9230 Series Features

- Models include: Double Hung, Single Hung, Two- and Three-lite Horizontal Sliders (XX, XO, XOX) Basement Hopper and Picture Window.
- Welded frame and sash enhances structural integrity and increases weatherability.
- Available in new construction configurations.
- For ease of new construction installation, it comes with a pre-punched nailing fin.
- Subtle accessory grooves come standard so you can securely accommodate trim and other attachments. Multiple accessories available.
- Accepts 5/8", 3/4" and 7/8" insulated glass.
- The sill is engineered for high water performance.
- A beveled exterior offers a pleasant, aesthetic design.
- Our T-Mullion system provides a continuous head and sill for multiple unit design.
- The optional Structural Mull system adds additional strength to multiple window combinations when required.
- Dual Weatherstripping at stiles, interlock, head and sill provides extra protection against air-infiltration and enhances the energy efficiency.
- Utilizes Chelsea's Ccore® composite reinforcement.
- The sash is SDL (Simulated Divided Lite) bar compatible.
- Meets AAMA Grade 35 structural test standards with upgrades available to meet Grade 50.
- Capable of Light Commercial applications.

### Performance Results

#### Structural

Test Standard - AAMA/WDMA/CSA 101/I.S.2/A440.11, NAFS  
Tested to H Class LC-PG25 (44" x 75")  
Tested to H Class LC-PG35 (44" x 75")  
Tested to H Class LC-PG35 (40" x 63")  
Tested to H Class LC-PG50 (40" x 63")

#### Thermal

The 9230 performs to a U-Factor result with a range from 0.24 to 0.47  
The 9230 performs to a SHG result with a range from 0.21 to 0.63

Part of the American  
Homestead family of products.



©2014CBP 9230AH-2-14