

630 SERIES SINGLE HUNG

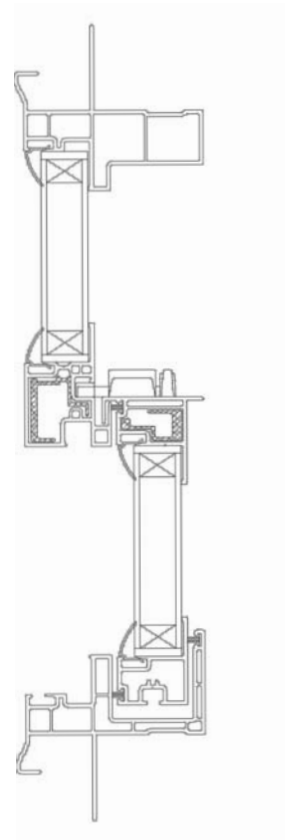
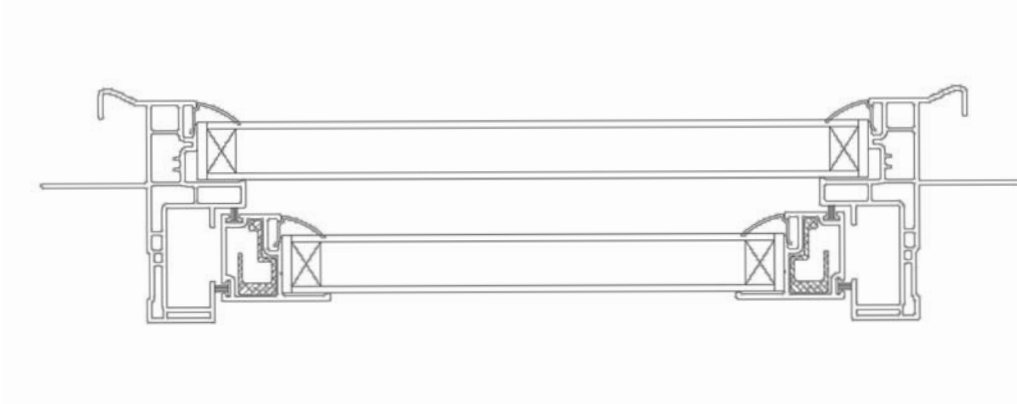


565 Cedar Way • Oakmont, PA 15139 • 1-800-424-3573 • www.chelseabuildingproducts.com



630 SERIES

SINGLE HUNG



630 Series Features

- Models include: Single Hung, Horizontal Slider (XO, XOX and XOOX) and Picture Window.
- Fixed lite astragal available for integral frame-lite options.
- Designed for manufactured housing and new construction.
- For ease of new construction installation, it comes with a pre-punched nailing fin and integral 'J' for siding applications.
- Welded frame and sash enhances structural integrity and increases durability.
- Exterior glazed with snap-in glazing bead for excellent interior aesthetics.
- Available with a sweep lock and keeperless meeting rail.
- Accepts 3/4" insulated glass.
- Easy fabrication for high-speed manufacturing.
- Our integral T-Mullion system provides a continuous head and sill for multiple unit design.
- Dual Weatherstripping at stiles and sill provides extra protection against air-infiltration and enhances the energy efficiency.
- Meets AAMA Grade R35 structural test standards with upgrades available to meet Grade R50.

Performance Results

Structural

Test Standard - AAMA/WDMA/CSA 101/I.S.2/A440-08/A440.11, NAFS
AAMA 1701.02 Manufactured Housing
Tested to H Class R35 (48" x 60")
Tested to H Class R50 (48" x 60")

Thermal

The 630 performs to a U-Factor result with a range from 0.28 to 0.49
The 630 performs to a SHG result with a range from 0.28 to 0.67